

HEATIT Z-WAVE



HEATIT Z-WAVE

White RAL 9003

Color and design matching
the Schneider Exact series.



HEATIT Z-WAVE

Black RAL 9011

Design matching the Schneider Exact series.

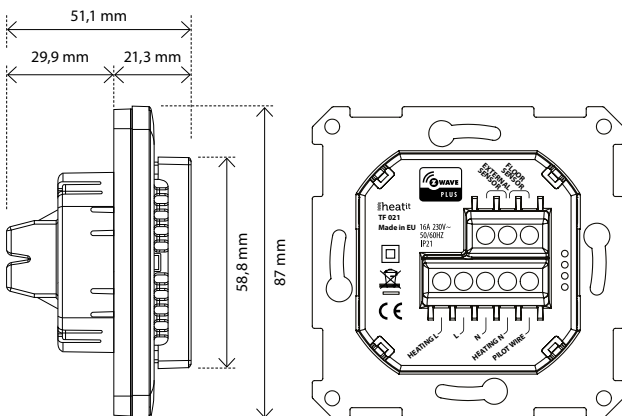


Heatit Z-Wave is an electronic thermostat for flush mounting in a standard wall box. The thermostat has a built-in Z-Wave chip that can be connected with Home Automation systems like Fibaro, Future Home, Smarthings, Homeseer, Vera, Zipato etc.

Heatit Z-Wave is equipped with a single pole switch and fits into most frames used in Norway (Elko RS16, System 55, Schneider Exact and Norvesco). The thermostat can withstand a load of max 16A / 3600W at 230V. At higher loads the thermostat must control a contactor. The thermostat can be connected to two external sensors.

The thermostat has the capacity of up to 8 associations (relays, wall plugs etc.)

The thermostat is designed for electrical heating.



PRODUCT INFO

Heatit Z-Wave Firmware 1.8

FEATURES

- Floor sensor
- External room sensor
- Internal room sensor
- Temperature limiter
- Power regulator
- Z-Wave Plus chip, 500 series
- Weekly program via gateway
- Setback mode via gateway or pilot wire
- LED-diode
- Can be used in connection with different NTC-sensors
- Lock mode/child lock
- Backlight
- Calibration
- 8 associations

TECHNICAL DATA

Protocol	Z-Wave Plus, 868,4 MHz
Rated voltage	230V 50/60Hz
Max load	3600W (resistive load) 750W self-limiting heating cable
Max current	16A
Power consumption	1,5W
Power regulator	Time cycle 0-30min
Min/max installation temp	-20°C to 40°C
Min/max operating temp	5°C to 40°C
Temperature intervals	Floor sensor 5°C to 40°C External room sensor 5°C to 40°C
Hysteresis	0,3°C to 3,0°C (default 0,5°C)
Sensor values	<ul style="list-style-type: none"> • 0°C 29,1 kOhm • 10°C 18,6 kOhm • 15°C 15,1 kOhm • 20°C 12,2 kOhm • 25°C 10,0 kOhm
Switch	Single-pole switch
Included in package	Floor sensor, Ø4mm 3 meters NTC 10 KΩ, El-nr. 5430109
Compatible with NTC sensors with values	10, 12, 15, 22, 33 and 47 kΩ @ 25°C.
IP-class	IP21

TERMINAL

Use 1,5mm² or 2,5mm² according to load.

WARRANTY

2 years

ART. NO.	PRODUCT	COLOR
5430499	Heatit Z-Wave thermostat 3600W 16A	White RAL 9003
5430498	Heatit Z-Wave thermostat 3600W 16A	Black RAL 9011
5430311	Frame for Heatit	White RAL 9003
5430312	Frame for Heatit	Black RAL 9011

5430497	Cable for software update on thermostat
5430108	Floor sensor Ø3mm 6m NTC 10 kOhm
5430109	Floor sensor Ø4mm 3m NTC 10 kOhm
5430128	External room sensor, glass front NTC 10 kOhm
5430471	External enclosed sensor IP 20/54

The product must be installed in accordance with current version of the installation guide and national building codes. See the installation guide for further information.

SENSORS



5430108

FLOOR SENSOR Ø3MM

NTC 10 kOhm @ 25°C
Cable length 6 meters



5430109

FLOOR SENSOR Ø4MM

Standard sensor for Heatit
NTC 10 kOhm @ 25°C
Cable length 3 meters



5430128

EXTERNAL ROOM SENSOR

External room sensor with glass front face.
Flush mounted with modern design.
NTC 10 kOhm
Size: (LxWxH) 80x110mmx16mm



5430129

EXTERNAL ROOM SENSOR, MINI

NTC 10 kOhm @ 25°C
Size: (LxWxH) 40x60x47mm
Max. length of power supply cable:
50 meters



5430471

EXTERNAL ENCLOSED SENSOR IP 20/54

NTC 10 kΩ @ 25°C.
For indoor and outdoor use.
Fits a standard wall box.
Size (LxWxH) 82 x 88 x 25mm



4590092

ETF 944/99H TEMP. SENSOR, ROOM SENSOR

Room sensor for wall mounting.
The room sensor has the same height and width as Microtemp thermostats/regulators and fits into Giras System 55 frames, RS-16 og UNI-systems, among others.

ART. NO.	PRODUCT
5430108	Floor sensor Ø3mm 6m NTC 10 kOhm
5430109	Floor sensor Ø4mm 3m NTC 10 kOhm
5430128	External room sensor NTC 10 kOhm
5430129	External room sensor, mini, NTC 10 kOhm
5430471	External enclosed sensor IP 20/54
5491392	ETF 944/99H Temp. sensor, room sensor